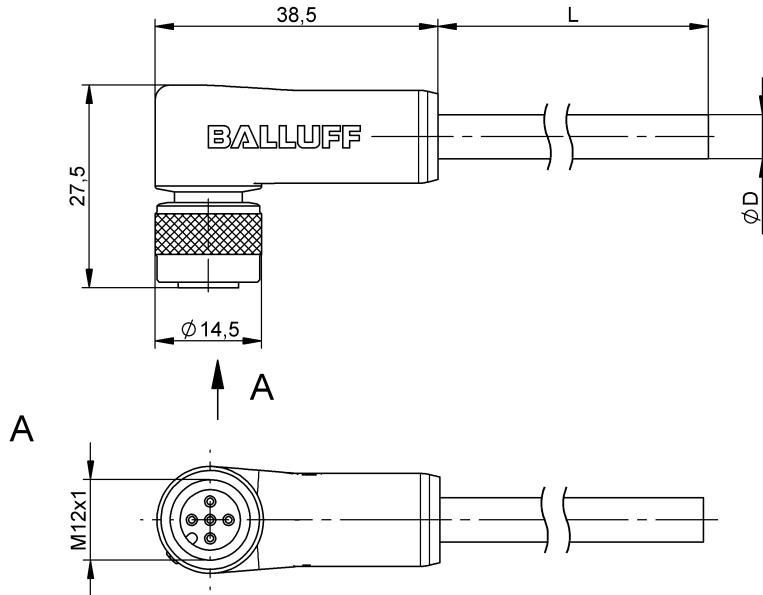


Single-Ended Cordsets
BCC M425-0000-1A-016-VS8534-050
Order Code: BCC0L8F

BALLUFF



Basic features

Approval/Conformity	CE cULus WEEE
---------------------	---------------------

Electrical connection

Cable	PVC Shielded gray, 5 m
Cable diameter D	5.80 mm ±0.15 mm
Conductor cross-section	0.34 mm ²
Connection	M12x1-Female, angled, 5-pin, A-coded
Connector configuration	right-angle
Number of conductors	5
Number of pins	5
System	Molded

Electrical data

Operating voltage U _b	60 VDC / 60 VAC
Rated current (40 °C)	4.0 A

Remarks

Cable construction acc. to UL-AWM Style 2517
 Enclosure rating per IEC 60529 or 20653, only in screwed state with the associated mating piece.

Environmental conditions

Cable temperature, fixed routing	-40...105 °C
Cable temperature, flexible routing	-5...150 °C
IP rating	IP67, IP68, IP69K

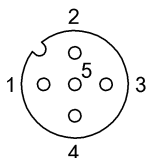
Material

Cable jacket material, note	Shielded
Cable jacket, material	PVC
Cable shield	Copper braid, tin-plated
Material contact carrier	PUR
Material contacts	Bronze
Material cover nut	Nickel-plated brass
Material grip	PUR

Mechanical data

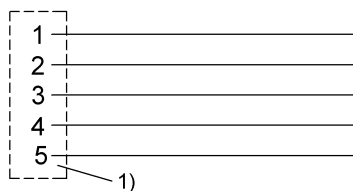
Cable jacket, color	gray
Cable length L	5.00 m
Tightening torque pigtail	0.6 Nm

Connector Drawings



- PIN 1: brown
- PIN 2: white
- PIN 3: blue
- PIN 4: black
- PIN 5: gray

Wiring Diagrams



1) Shield on cover nut